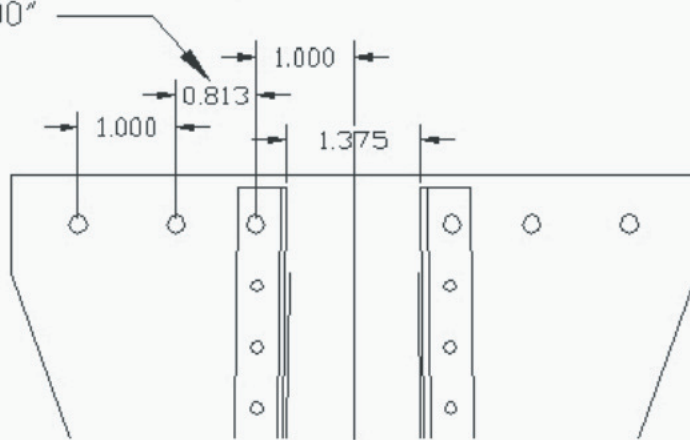
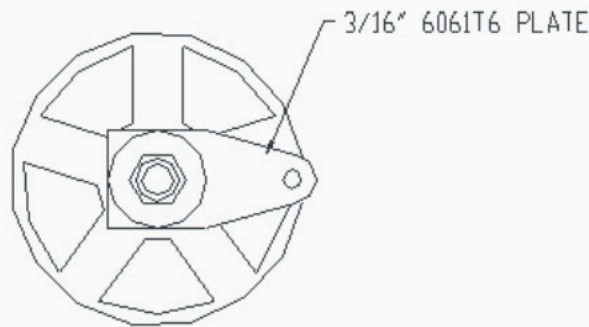


PAGE 12

1. Changed hole spacing on the Strut plate to clear wing attach fitting bolts.
was 1.00"



2. Changed brake to .188" plate.



PAGE 14

1. Changed the .5" square tube to .049" wall thickness because of better availability.