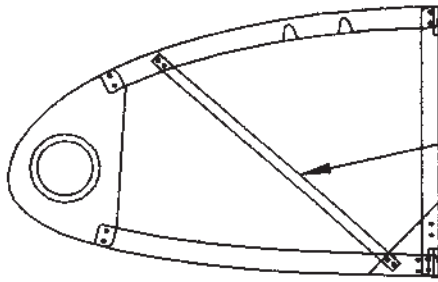


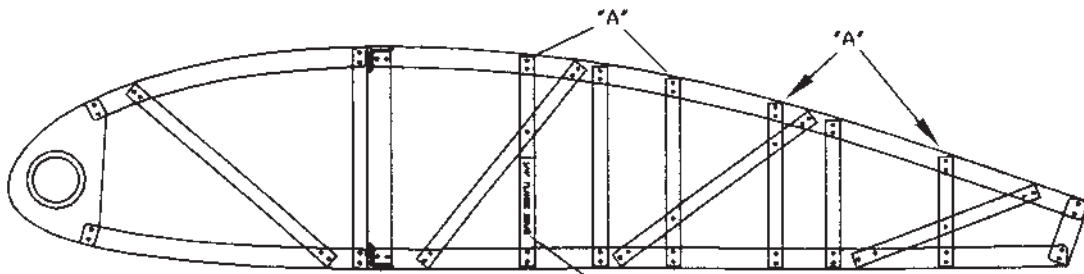
Page #5

1. Added note for the cross piece on the outboard center section ribs.



NOTE: ON THE OUTBOARD RIBS (2) OF THE CENTER SECTION THIS CROSS PIECE SHOULD BE ON THE INBOARD SIDE OF THE RIB TO FACILITATE THE MOUNTING OF THE BELLCRANKS.

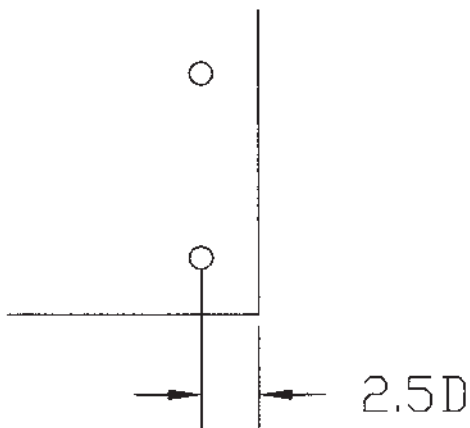
2. Moved "step" stiffeners to a more aft location. Closer to where one actually steps.



ADD (4) STIFFENERS "A" TO RIBS 2L & 3L FOR STEPPING ON WING

Page #6

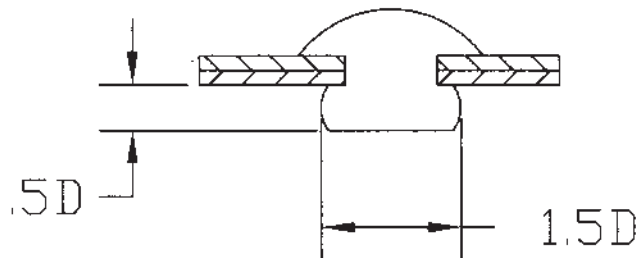
1. Added notes for rivets.



Edge distance

The rivets should be 2.5 diameters from the edge, 2D minimum. This is valid for solid and pulled rivets.

Solid Rivet



NOTE: The rivet should extend 1.5D (diameter) beyond hole before flattening.